



HMT370EX Intrinsically Safe Humidity and Temperature Transmitter HMT370EX For humidity and temperature measurements

Intrinsically Safe Humidity and Temperature Transmitter HMT370EX		HMT370EX	1	2	3	4	5	6	7	8	9	10	11	12	
hardware	1 Probe Model	HMT370 Transmitter Unit only	0												
		• HMP371 Probe for Wall Mounting	1												
		• HMP373 Probe for Confined Spaces	3												
		• HMP374 Probe for Pressurized Processes	4												
		• HMP375 Probe for High Temperatures	5												
		• HMP377 Probe for High Humidities	7												
		• HMP378 Probe for Pressurized Pipelines	8												
	2 Ex certification and Region ¹		IECEX Certificate for HMT370EX and HMP370EX (Global)	1											
			ATEX Certificate for HMT370EX and HMP370EX (Europe)	2											
			CML Certificate for HMT370EX (Japan)	4											
			FM Certificate for HMT370EX (USA)	5											
			CSA Certificate for HMT370EX (Canada)	7											
			NEPSI Certificate for HMT370EX and HMP370EX (China)	8											
			KCs Certificate for HMT370EX and HMP370EX (Korea)	9											
			UKEX Certificate for HMT370EX and HMP370EX (UK)	B											
	3 Probe Cable Length and Sensor		Transmitter only, no probe	0											
			• HMP371: Fixed Probe, max +60 °C	A											
			HMP373: Probe Cable 2 m, max +80 °C	B											
		• HMP373: Probe Cable 5 m, max +80 °C	C												
		• HMP373: Probe Cable 5 m, max +80 °C	D												
		• HMP373: Probe Cable 2 m, max +120 °C	E												
		• HMP373: Probe Cable 5 m, max +120 °C	F												
		• HMP373: Probe Cable 10 m, max +120 °C	G												
		HMP374: Probe Cable 2 m, max +180 °C	H												
		• HMP374: Probe Cable 5 m, max +180 °C	J												
		• HMP374: Probe Cable 10 m, max +180 °C	K												
		HMP375: Probe Cable 2 m, max +180 °C	L												
		• HMP375: Probe Cable 5 m, max +180 °C	M												
		• HMP375: Probe Cable 10 m, max +180 °C	N												
		HMP377: Probe Cable 2 m, max +180 °C	P												
		• HMP377: Probe Cable 5 m, max +180 °C	R												
		• HMP377: Probe Cable 10 m, max +180 °C	S												
		HMP378: Probe Cable 2 m, Probe 262 mm, max +180 °C	T												
		• HMP378: Probe Cable 5 m, Probe 262 mm, max +180 °C	U												
		• HMP378: Probe Cable 10 m, Probe 262 mm, max +180 °C	V												
		• HMP378: Probe Cable 2 m, Probe 448 mm, max +180 °C	W												
		• HMP378: Probe Cable 5 m, Probe 448 mm, max +180 °C	Y												
		• HMP378: Probe Cable 10 m, Probe 448 mm, max +180 °C	Z												
		HMP371: Fixed Probe, max +60 °C T-only	4												
		HMP373: Probe Cable 2 m, max +120 °C T-only	5												
		• HMP373: Probe Cable 5 m, max +120 °C T-only	6												
		• HMP373: Probe Cable 10 m, max +120 °C T-only	7												
4 Sensor Protection		Transmitter only	0												
	+	Plastic grid & SST net filter, All probes DRW010281SP	1												
		Sintered Stainless Steel filter, all probes HM47280SP	2												
		Plastic Grid, Fast Response in Clean Environments, not for HMP378H/8F DRW010276SP	4												
		Stainless Steel Filter (AISI 303) with PTFE Membrane, HMP377 214848SP	5												
5 Probe Accessories		No Accessories	N												
		• Duct Installation Kit, HMP373/7 210697	B												
		• Mounting Flange, HMP375 210696	C												
		• Ball Valve ISO1/2 with Welding Joint, HMP378/8F/8H BALLVALVE-1	D												
		• Cable Gland for Probe Mounting, M20 x 1.5 with Split Seal, HMP373/5/7 HMP247CG	E												
		Fitting Body for Probe Mounting, M22 x 1.5, HMP374 17223SP	F												
		Fitting Body for Probe Mounting, NPT 1/2, HMP374 17225SP	G												
		• Swagelok Probe Fitting, NPT 1/2 Thread, 12mm, HMP377 SWG12NPT12	H												
		• Swagelok Probe Fitting, ISO 3/8 Thread, 12mm, HMP377 SWG12ISO38	J												
		• Swagelok Probe Fitting, ISO 1/2 Thread (12mm), HMP377 SWG12ISO12	K												
		Fitting Body for Probe Mounting, ISO 1/2 Solid Structure, HMP378 DRW212076SP	L												
	Fitting Body for Probe Mounting, NPT 1/2 Solid Structure, HMP378 212810SP	M													
6 Transmitter type		Transmitter without Display and Keypad	A												
		• Transmitter with Display and Keypad, must be protected against direct sunlight to maintain EX-protection!	B												
7 Output Units		Metric Units	1												
		Non-Metric Units	2												
		SI-units only	J												
8 Analog Outputs Channel 1		No Analog Output	N												
	9 Analog Outputs Channel 2		RH (0...100%)	A											
			T (0...+60 °C)	B											
			T (-40...+60 °C)	C											
			T (-20...+80 °C)	D											
			T (-40...+180 °C)	E											
			Td/f (-20...+120 °C)	H											
		Td/f (-60...+40 °C)	J												
	• Special, please specify parameter and scale:	X													
10 Cable Lead-through ²		Plugged Lead-Through 254931SP AGRO, EX8720.08*	0												
		• Cable Gland M20x1.5 for Cable 5...11 mm 265207SP AGRO, EX1826.20.110*	1												
		• Cable Gland M20x1.5 for Cable 10...14 mm 265208SP Hummel, HSK-MZ-Ex*	2												
		• Conduit Fitting M20x1.5 M16 265243SP ABB, EXN/M20-M16/R*	3												
		• Conduit Fitting M20x1.5 NPT1/2 265240SP ABB, EXN/M20-050/TC*	4												
		• Cable Gland M20x1.5 for Cable 5...11 mm, 2 pcs	5												
		• Cable Gland M20x1.5 for Cable 10...14 mm, 2 pcs	6												
		• Conduit Fitting M20x1.5 M16, 2 pcs	7												
	• Conduit Fitting M20x1.5 NPT1/2, 2 pcs	8													
11 Transmitter Accessories		No Transmitter Accessories	N												
		• Mounting Plate HMT360 Mounting Compatible DRW253246SP	A												
		• Service Cable for Transmitter, USB 219690	B												
		• Zener Barrier for 1 Channel 210664SP Stahl, 9001/51-280-091-141	C												
		• Zener Barriers for 2 Channels	D												
		• Repeater Power Supply for 1 Channels, GMI ³ 272886SP GMI, D5014S	H												
	• Repeater Power Supply for 2 Channels, GMI ⁴ 272887SP GMI, D5014D	J													

1) Please see details in the Ex-Certificate
 2) Please choose the item that meets the Ex-requirements in your country. You can use other glands and conduit fittings provided they meet the IP/EX-requirements. See details in the user documentation
 3) Not certified for Japanese market. Please order item code: 269756 instead (order separately)
 4) Not certified for Japanese market. Please order item code: 269757 instead (order separately)

LINKS:	User Guides
	Datasheet
	Vaisala.com product page

Accessories and spare parts

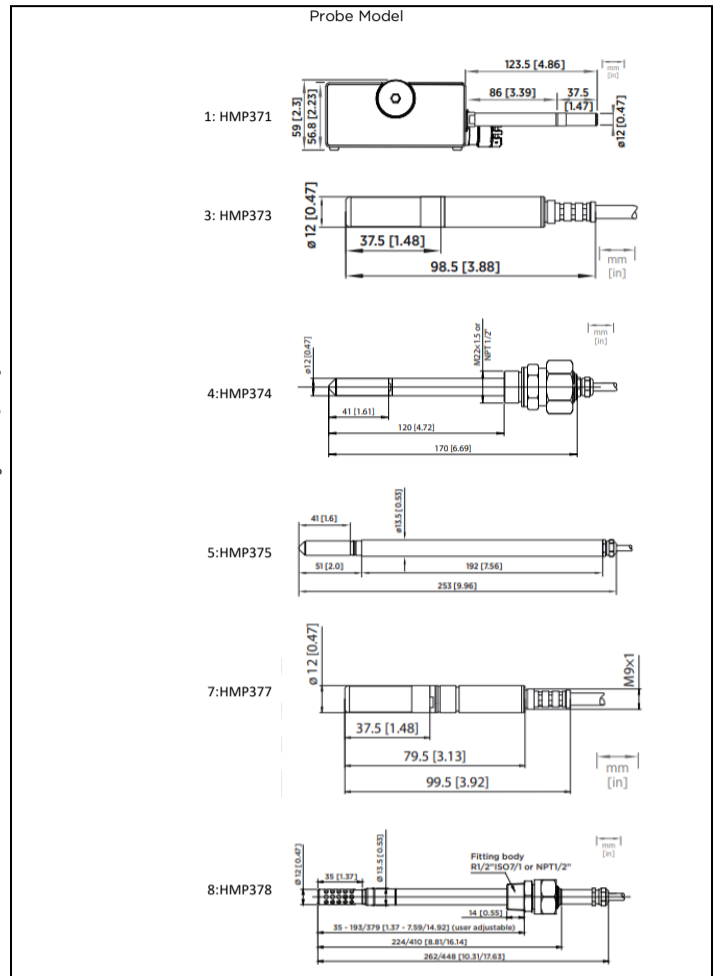
- Fitting Body M22x1.5
- Fitting Body NPT1/2
- Pressure Fitting ISO 1/2 to NPT 1/2
- Zener Barrier - Stahl part number 9001/51-280-091-141: 1 barrier per channel
- Mounting Flange for 13.5mm Diameter Probe
- Duct Installation Kit For 12mm Probe 210697
- Calibration Adapter for HMK15
- Galvanic Isolator -Stahl part number 9160/13-11-11k
- Fitting Body Npt1/2 Solid Structure
- Stainless Steel Filter with Membrane
- Outdoor Installation kit (Weather shield)
- USB Service Cable M8-4F, RS485
- Stainless Steel Filter High Flow
- Dummy Plug with O-ring, Ex 2 pcs
- Cable Gland M20x1.5/12mm, 5.0-11.0mm, MsNi/NBR, IP68
- Cable Gland M20x1.5/6mm, 10-14mm, MsNi/PA/NBR, IP68
- Conduit Fitting M20x1.5mm, 1/2in, Ms/Ni
- Conduit Fitting M20x1.5mm, M16, Ms/Ni
- GMI D5014S Repeater PSU 1ch, SIL3, HART, 18...30VDC, 2.5kV, DIN-Rail Japan
- GMI D5014D Repeater PSU 2ch, SIL3, HART, 18...30VDC, 2.5kV, DIN-Rail Japan
- Repeater Power Supply 1ch, SIL3, HART, 18...30VDC, 2.5kV, DIN-Rail
- Repeater Power Supply 2ch, SIL3, HART, 18...30VDC, 2.5kV, DIN-Rail
- 4PROBESETSP For HMP4 and HMT370EX.
- Ball Valve ISO1/2 with Welding Joint
- PPS Plastic Grid Filter
- Metal Coated PPS Grid Filter with Stainless Steel Mesh, Female Thread
- Fitting Body Iso1/2 Solid Structure
- Backplate for HMT370EX HMT360 Mounting Compatible
- Manual Press
- Sintered Stainless Steel Filter, Female Thread
- Stainless Steel Filter
- Cable Gland M20x1.5 with Split Seal
- Repeater Power Supply Isolation barrier/1ch
- Repeater Power Supply Isolation barrier/2ch
- Swagelok for 12mm Probe 3/8" ISO Thread
- Swagelok for 12mm Probe 1/2" NPT Thread
- Indigo-compatible USB Adapter

Part number

- 17223SP
- 17225SP
- 210662SP
- 210664SP
- 210696
- 210697
- 211302SP
- 212483SP
- 212810SP
- 214848SP
- 215109
- 219690
- 220752SP
- 254931SP
- 265207SP
- 265208SP
- 265240SP
- 265243SP
- 269756
- 269757
- 272886SP
- 272887SP
- 4PROBESETSP
- BALLVALVE-1
- DRW010276SP
- DRW010281SP
- DRW210276SP
- DRW253246SP
- HM36854SP
- HM47280SP
- HM47453SP
- HMP247CG
- MTL5541SP
- MTL5544SP
- SWG12ISO38
- SWG12NPT12
- USB2

Example of order code with typical settings:

	1	2	3	4	5	6	7	8	9	10	11	12
HMP371 Probe for Wall Mounting, HMT370EX	1	1	A	1	N	B	1	A	C	1	N	N
HMP373 Probe for Confined Spaces, HMT370EX	3	1	E	1	N	B	1	A	C	1	N	N
HMP374 Probe for Pressurized Processes, HMT370EX	4	1	H	2	F	B	1	A	C	1	N	N
HMP375 Probe for High Temperatures, HMT370EX	5	1	L	2	N	B	1	A	C	1	N	N
HMP377 Probe for High Humidities, HMT370EX	7	1	P	1	N	B	1	A	C	1	N	N
HMP378 Probe for Pressurized Pipelines, HMT370EX	8	1	W	3	D	B	1	A	C	1	N	N
HMP371 Probe for wall mounting, T only, HMT370EX	1	1	4	4	N	B	1	D	N	1	N	N
HMP373 Probe for Confined Spaces, T only, HMT370EX	3	1	5	4	N	B	1	D	N	1	N	N



HMT370EX Intrinsically Safe Humidity and Temperature Transmitter HMT370EX For measurements in oil and JET A-1 fuel



Intrinsically Safe Humidity and Temperature Transmitter HMT370EX		SPARE CODE		1	2	3	4	5	6	7	8	9	10	11	12		
1 Probe Model	HMT370 Transmitter Unit only			0													
	• HMP378F Probe for Moisture in Oil			F													
	• HMP378H Probe for Moisture in JET A-1 Fuel			H													
2 Ex certification and Region ¹	IECEx Certificate for HMT370EX and HMP370EX (Global)			1													
	ATEX Certificate for HMT370EX and HMP370EX (Europe)			2													
	CML Certificate for HMT370EX (Japan)			4													
	FM Certificate for HMT370EX (USA)			5													
	CSA Certificate for HMT370EX (Canada)			7													
	NEPSI Certificate for HMT370EX and HMP370EX (China)			8													
	KCs Certificate for HMT370EX and HMP370EX (Korea)			9													
	UKEX Certificate for HMT370EX and HMP370EX (UK)			B													
3 Probe Cable Length and Sensor	Transmitter only, no probe			0													
	HMP378F/H: Probe Cable 2 m, Probe 215 mm ,max +180 °C			1													
	• HMP378F/H: Probe Cable 5 m, Probe 215 mm ,max +180 °C			2													
	• HMP378F/H: Probe Cable 10 m, Probe 215 mm ,max +180 °C			3													
4 Sensor Protection	Transmitter only			0													
	Stainless Steel Filter for Oil and Vacuum (AISI 303), HMP374/8	HM47453SP		3													
	Stainless Steel Filter for High Flow Applications			6													
5 Probe Accessories	No Accessories			N													
	• Ball Valve ISO1/2 with Welding Joint, HMP378/8F/8H	BALLVALVE-1		D													
	• Fitting Body for Probe Mounting, ISO 1/2 Solid Structure, HMP378	DRW212076SP		L													
• Fitting Body for Probe Mounting, NPT 1/2 Solid Structure, HMP378	212810SP		M														
6 Transmitter type	Transmitter without Display and Keypad			A													
	• Transmitter with Display and Keypad, must be protected against direct sunlight to maintain EX-protection!			B													
7 Output Units	Metric Units			1													
	Non-Metric Units			2													
	SI-units only			J													
8 Analog Outputs Channel 1	No Analog Output			N												N	
9 Analog Outputs Channel 2	T (0...+60 °C)			B												B	
	T (-40...+60 °C)			C												C	
	T (-20...+80 °C)			D												D	
	T (-40...+180 °C)			E												E	
	JET A-1 Water Concentration (0...500 ppmw)			L												J	
	Td/t (-60...+40 °C)			J												L	
	Mineral transformer oil Water Concentration (0...500 ppmw)			M													M
	Liquid Relative Saturation (0...100 %)			P													P
	Liquid Water Activity (0...1)			R													R
	Liquid Saturation Temperature (-40...+60 °C)			S													S
• Special, please specify parameter and scale:			X													X	
10 Cable Lead-through ²	Plugged Lead-Through	254931SP	AGRO, EX8720.08*													0	
	• Cable Gland M20x1.5 for Cable 5...11 mm	265207SP	AGRO, EX1826.20.110*													1	
	• Cable Gland M20x1.5 for Cable 10...14 mm	265208SP	Hummel, HSK-MZ-Ex*													2	
	• Conduit Fitting M20x1.5 M16	265243SP	ABB, EXN/M20-M16/R*													3	
	• Conduit Fitting M20x1.5 NPT1/2	265240SP	ABB, EXN/M20-050/TC*													4	
	• Cable Gland M20x1.5 for Cable 5...11 mm, 2 pcs																5
	• Cable Gland M20x1.5 for Cable 10...14 mm, 2 pcs																6
	• Conduit Fitting M20x1.5 M16, 2 pcs																7
	• Conduit Fitting M20x1.5 NPT1/2, 2 pcs																8
11 Transmitter Accessories	No Transmitter Accessories		Manufacturer/Type													N	
	• Mounting Plate HMT360 Mounting Compatible	DRW253246SP														A	
	• Service Cable for Transmitter, USB	219690														B	
	• Zener Barrier for 1 Channel	210664SP	Stahl, 9001/51-280-091-141													C	
	• Zener Barriers for 2 Channels																D
	• Repeater Power Supply for 1 Channels, GMI ³	272886SP	GMI, D5014S														H
	• Repeater Power Supply for 2 Channels, GMI ⁴	272887SP	GMI, D5014D														J

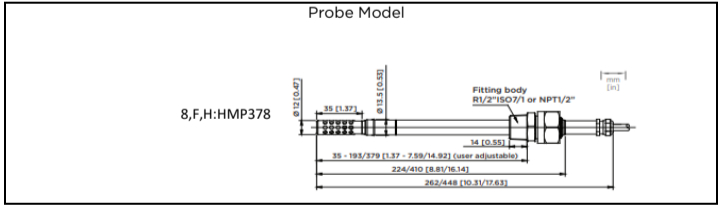
1) Please see details in the Ex-Certificate
 2) Please choose the item that meets the Ex-requirements in your country. You can use other glands and conduit fittings provided they meet the IP/EX-requirements. See details in the user documentation
 3) Not certified for Japanese market. Please order item code: 269756 instead (order separately)
 4) Not certified for Japanese market. Please order item code: 269757 instead (order separately)

LINKS: [User Guides](#), [Datasheet](#), [Vaisala.com product page](#)

- Accessories and spare parts**
- Fitting Body M22x1.5
 - Fitting Body NPT1/2
 - Pressure Fitting ISO 1/2 to NPT 1/2
 - Zener Barrier - Stahl part number 9001/51-280-091-141: 1 barrier per channel
 - Mounting Flange for 13.5mm Diameter Probe
 - Duct Installation Kit For 12mm Probe 210697
 - Calibration Adapter for HMK15
 - Galvanic Isolator -Stahl part number 9160/13-11-11k
 - Fitting Body Npt1/2 Solid Structure
 - Stainless Steel Filter with Membrane
 - Outdoor Installation kit (Weather shield)
 - USB Service Cable M8-4F, RS485
 - Stainless Steel Filter High Flow
 - Dummy Plug with O-ring, Ex 2 pcs
 - Cable Gland M20x1.5/12mm, 5.0-11.0mm, MsNi/NBR, IP68
 - Cable Gland M20x1.5/6mm, 10-14mm, MsNi/PA/NBR, IP68
 - Conduit Fitting M20x1.5mm, 1/2in, Ms/Ni
 - Conduit Fitting M20x1.5mm, M16, Ms/Ni
 - GMI D5014S Repeater PSU 1ch, SIL3, HART, 18...30VDC, 2.5kV, DIN-Rail Japan
 - GMI D5014D Repeater PSU 2ch, SIL3, HART, 18...30VDC, 2.5kV, DIN-Rail Japan
 - Repeater Power Supply 1ch, SIL3, HART, 18...30VDC, 2.5kV, DIN-Rail
 - Repeater Power Supply 2ch, SIL3, HART, 18...30VDC, 2.5kV, DIN-Rail
 - 4PROBESETSP For HMP4 and HMT370EX.
 - Ball Valve ISO1/2 with Welding Joint
 - PPS Plastic Grid Filter
 - Metal Coated PPS Grid Filter with Stainless Steel Mesh, Female Thread
 - Fitting Body Iso1/2 Solid Structure
 - Backplate for HMT370EX HMT360 Mounting Compatible
 - Manual Press
 - Sintered Stainless Steel Filter, Female Thread
 - Stainless Steel Filter
 - Cable Gland M20x1.5 with Split Seal
 - Repeater Power Supply Isolation barrier/1ch
 - Repeater Power Supply Isolation barrier/2ch
 - Swagelok for 12mm Probe 3/8" ISO Thread
 - Swagelok for 12mm Probe 1/2" NPT Thread
 - Indigo-compatible USB Adapter

- Part number**
- 17223SP
 - 17225SP
 - 210662SP
 - 210664SP
 - 210696
 - 210697
 - 211302SP
 - 212483SP
 - 212810SP
 - 214848SP
 - 215109
 - 219690
 - 220752SP
 - 254931SP
 - 265207SP
 - 265208SP
 - 265240SP
 - 265243SP
 - 269756
 - 269757
 - 272886SP
 - 272887SP
 - 4PROBESETSP
 - BALLVALVE-1
 - DRW010276SP
 - DRW010281SP
 - DRW212076SP
 - DRW253246SP
 - HM36854SP
 - HM47280SP
 - HM47453SP
 - HMP247CG
 - MTL5541SP
 - MTL5544SP
 - SWG12ISO38
 - SWG12NPT12
 - USB2

Example of order code with typical settings:
 HMP378F Probe for Moisture in Oil, HMT370EX **F 1 1 3 L B 1 P S 7 N N**
 HMP378H Probe for Moisture in JET A-1 Fuel, HMT370EX **H 1 1 3 L B 1 P S 7 N N**



HMP370EX Intrinsically Safe Humidity and Temperature Probe



SPARE CODE

1 2 3 4 5 6

Intrinsically Safe Humidity and Temperature Probe		HMP370EX	1	2	3	4	5	6	
1 Probe Model	• <i>HMP371 Probe for Wall Mounting</i>		7						
	• <i>HMP373 Probe for Confined Spaces</i>		3						
	• <i>HMP374 Probe for Pressurized Processes</i>		4						
	• <i>HMP375 Probe for High Temperatures</i>		5						
	• <i>HMP377 Probe for High Humidities</i>		7						
	• <i>HMP378 Probe for Pressurized Pipelines</i>		8						
	• <i>HMP378F Probe for Moisture in Oil</i>		F						
	• <i>HMP378H Probe for Moisture in JET A-1 Fuel</i>		H						
	2 Ex certification and Region	IECEX Certificate for HMT370EX and HMP370EX (Global)			1				
		ATEX Certificate for HMT370EX and HMP370EX (Europe)			2				
CML Certificate for HMP370EX				4					
FM Certificate for HMP370EX				5					
CSA Certificate for HMP370EX				7					
NEPSI Certificate for HMT370EX and HMP370EX (China)				8					
KCs Certificate for HMT370EX and HMP370EX (Korea)				9					
UKEX Certificate for HMT370EX and HMP370EX (UK)				B					
3 Probe Cable Length and Sensor	• <i>HMP371: Fixed Probe, max 60 °C</i>							A	
	HMP373: Probe Cable 2 m, max +80 °C							B	
	• <i>HMP373: Probe Cable 5 m, max +80 °C</i>							C	
	• <i>HMP373: Probe Cable 5 m, max +80 °C</i>							D	
	• <i>HMP373: Probe Cable 2 m, max +120 °C</i>							E	
	• <i>HMP373: Probe Cable 5 m, max +120 °C</i>							F	
	• <i>HMP373: Probe Cable 10 m, max +120 °C</i>							G	
	HMP374: Probe Cable 2 m, max +180 °C							H	
	• <i>HMP374: Probe Cable 5 m, max +180 °C</i>							J	
	• <i>HMP374: Probe Cable 10 m, max +180 °C</i>							K	
	HMP375: Probe Cable 2 m, max +180 °C							L	
	• <i>HMP375: Probe Cable 5 m, max +180 °C</i>							M	
	• <i>HMP375: Probe Cable 10 m, max +180 °C</i>							N	
	HMP377: Probe Cable 2 m, max +180 °C							P	
	• <i>HMP377: Probe Cable 5 m, max +180 °C</i>							R	
	• <i>HMP377: Probe Cable 10 m, max +180 °C</i>							S	
	HMP378: Probe Cable 2 m, Probe 262 mm ,max +180 °C							T	
	• <i>HMP378: Probe Cable 5 m, Probe 262 mm ,max +180 °C</i>							U	
	• <i>HMP378: Probe Cable 10 m, Probe 262 mm ,max +180 °C</i>							V	
	• <i>HMP378: Probe Cable 2 m, Probe 448 mm ,max +180 °C</i>							W	
	• <i>HMP378: Probe Cable 5 m, Probe 448 mm ,max +180 °C</i>							Y	
	• <i>HMP378: Probe Cable 10 m, Probe 448 mm ,max +180 °C</i>							Z	
	HMP378F/H: Probe Cable 2 m, Probe 215 mm ,max +180 °C							1	
	• <i>HMP378F/H: Probe Cable 5 m, Probe 215 mm ,max +180 °C</i>							2	
	• <i>HMP378F/H: Probe Cable 10 m, Probe 215 mm ,max +180 °C</i>							3	
	HMP371: Fixed Probe, max +60 °C T-only							4	
	HMP373: Probe Cable 2 m, max +120 °C T-only							5	
	• <i>HMP373: Probe Cable 5 m, max +120 °C T-only</i>							6	
• <i>HMP373: Probe Cable 10 m, max +120 °C T-only</i>							7		
4 Sensor protection	+ Plastic grid & SST net filter, All probes	DRW010281SP						1	
	Sintered Stainless Steel filter, all probes	HM47280SP						2	
	Stainless Steel Filter for Oil and Vacuum (AISI 303), HMP374/8	HM47453SP						3	
	Plastic Grid, Fast Response In Clean Environments, Not for HMP378H/F	DRW010276SP						4	
	Stainless Steel Filter (AISI 303) with PTFE Membrane, HMP377	214848SP						5	
	Stainless Steel Filter for High Flow Applications							6	
5 Probe Accessories	No Accessories							N	
	• <i>Duct Installation Kit, HMP373/7</i>	210697						B	
	• <i>Mounting Flange, HMP375</i>	210696						C	
	• <i>Ball Valve ISO1/2 with Welding Joint, HMP378/BF/BH</i>	BALLVALVE-1						D	
	• <i>Cable Gland for Probe Mounting, M20 x 1.5 with Split Seal, HMP373/5/7</i>	HMP247CG						E	
	Fitting Body for Probe Mounting, M22 x 1.5, HMP374	17223SP						F	
	Fitting Body for Probe Mounting, NPT 1/2, HMP374	17225SP						G	
	• <i>Swagelok Probe Fitting, NPT 1/2 Thread, 12mm, HMP377</i>	SWG12NPT12						H	
	• <i>Swagelok Probe Fitting, ISO 3/8 Thread, 12mm, HMP377</i>	SWG12ISO38						J	
	• <i>Swagelok Probe Fitting, ISO 1/2 Thread (12mm), HMP377</i>	SWG12ISO12						K	
	Fitting Body for Probe Mounting, ISO 1/2 Solid Structure, HMP378	DRW212076SP						L	
	Fitting Body for Probe Mounting, NPT 1/2 Solid Structure, HMP378	212810SP						M	
	Service cable for Probe USB2							S N	

hardware

accessory

NOTE: Selections in bold are included in the prices of the basic versions.
 • Selections in italic are available at an extra price.
 + Suggested/default selection

LINKS: [User Guides](#)
[Datasheet](#)

Example of order code with typical settings:

	1	2	3	4	5	6
HMP370EX	7	1	A	1	N	N